

PARTS LIST

CAUTION

- The parts identified by the \triangle symbol are important for the safety. Whenever replacing these parts, be sure to use specified ones to secure the safety.
- The parts not indicated in this Parts List and those which are filled with lines — in the Parts No. columns will not be supplied.
- P. W. Board Ass'y will not be supplied, but those which are filled with the Parts No. in the Parts No. columns will be supplied.

ABBREVIATIONS OF RESISTORS, CAPACITORS AND TOLERANCES

RESISTORS		CAPACITORS	
C R	Carbon Resistor	C CAP.	Ceramic Capacitor
F R	Fusible Resistor	E CAP.	Electrolytic Capacitor
P R	Plate Resistor	M CAP.	Mylar Capacitor
V R	Variable Resistor	HV CAP.	High Voltage Capacitor
HV R	High Voltage Resistor	MF CAP.	Metalized Film Capacitor
MF R	Metal Film Resistor	MM CAP.	Metalized Mylar Capacitor
MG R	Metal Glazed Resistor	MP CAP.	Metalized Polystyrol Capacitor
MP R	Metal Plate Resistor	PP CAP.	Polypropylene Capacitor
OM R	Metal Oxide Film Resistor	PS CAP.	Polystyrol Capacitor
CMF R	Coating Metal Film Resistor	TF CAP.	Thin Film Capacitor
UNF R	Non-Flammable Resistor	MPP CAP.	Metalized Polypropylene Capacitor
CH V R	Chip Variable Resistor	TAN. CAP.	Tantalum Capacitor
CH MG R	Chip Metal Glazed Resistor	CH C CAP.	Chip Ceramic Capacitor
COMP. R	Composition Resistor	BP E CAP.	Bi-Polar Electrolytic Capacitor
LPTC R	Linear Positive Temperature Coefficient Resistor	CH AL E CAP.	Chip Aluminum Electrolytic Capacitor
NETW R	Network Resistor	CH AL BP CAP.	Chip Aluminum Bi-Polar Capacitor
		CH TAN. E CAP.	Chip Tantalum Electrolytic Capacitor

TOLERANCES									
F	G	J	K	M	N	R	H	Z	P
±1%	±2%	±5%	±10%	±20%	±30%	+30%	+50%	+80%	+100%
						-10%	-10%	-20%	-0%

CONTENTS

■ P.W. BOARDS	28
■ EXPLODED VIEW PARTS LIST	28
■ EXPLODED VIEW	29
■ PRINTED WIRING BOARD PARTS LIST	
● MAIN PW BOARD ASS'Y	30
● CRT SOCKET PW BOARD ASS'Y	34
■ PACKING / PACKING PARTS LIST	35
■ REMOTE CONTROL UNIT PARTS LIST	35

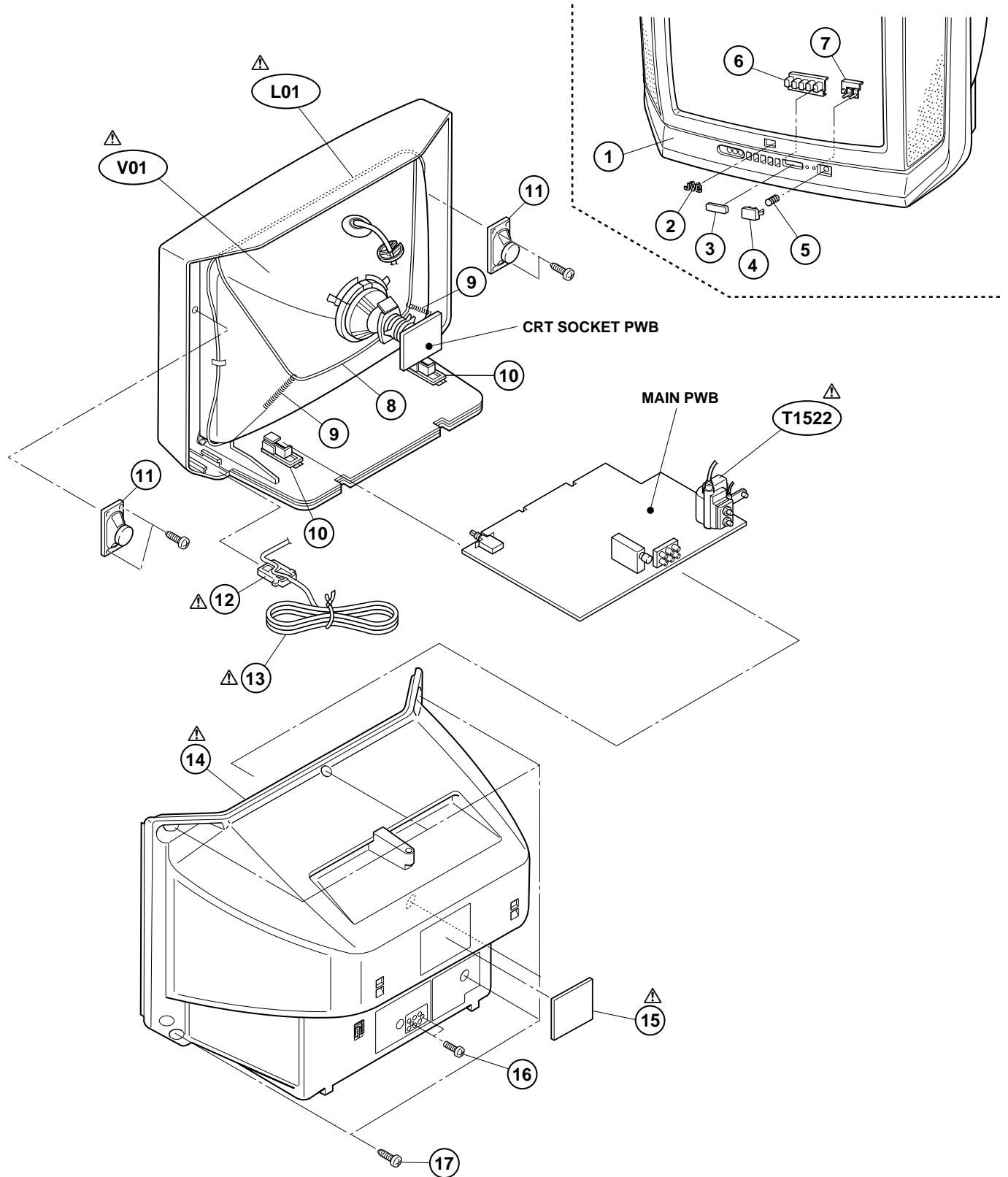
P.W. BOARDS

P.W.B. ASS'Y	PART NO.
MAIN P.W.B.	SCL-1286A-CK
CRT SOCKET P.W.B	SCL-3012A-CK

EXPLODED VIEW PARTS LIST

△ Ref.No.	Part No.	Part Name	Description	Local
△ V01	A51JSW51X07	PICTURE TUBE	ITC type (Includes DEF YOKE.)	
△ L01	CELD029-004J6	DEG COIL		
△ T1522	QHQ0022-002	H.V. TRANSF.		
1	LC10394-030A-HK	FRONT CABINET		
2	CM48006-007-C	JVC MARK		
3	LC30617-001C-H	E.E. WINDOW		
4	LC30616-004A-H	POWER KNOB		
5	CM35235-006-H	SPRING		
6	LC20292-004A-H	CONTROL KNOB		
7	LC30618-001A-H	LED LENS		
8	CHGB0028-0A	BRAIDED ASSY		
9	A48457-4-S	SPRING	(x2)	
10	CM36623-B01-H	CHASSIS RAIL	(x2)	
11	QAS0037-001	SPEAKER	(x2) SP01,SP02	
△ 12	CM47005-A01-H	CORD CLAMP		
△ 13	QMP40D0-200J5	POWER CORD	or QMP40D0-200J3	
△ 14	LC10448-001B-HK	REAR COVER		
△ 15	GG20001-013A-H	RATING LABEL		
16	QYSBSF3010Z	TAPPING SCREW	(x2)	
17	QYSBSFG4016Z	TAPPING SCREW	(x6)	

EXPLODED VIEW



PRINTED WIRING BOARD PARTS LIST

MAIN P.W. BOARD ASS'Y (SCL-1286A-CK)

△ Symbol No.	Part No.	Part Name	Description	Local
RESISTOR				
R1002	QRE141J-221Y	C R	220Ω 1/4W J	
R1003	QRE141J-221Y	C R	220Ω 1/4W J	
R1101	QRE141J-224Y	C R	22kΩ 1/4W J	
R1102	QRE141J-153Y	C R	15kΩ 1/4W J	
R1103	QRE141J-682Y	C R	6.8kΩ 1/4W J	
R1104	QRE141J-181Y	C R	180Ω 1/4W J	
R1105	QRE141J-222Y	C R	2.2kΩ 1/4W J	
R1106	QRE141J-122Y	C R	1.2kΩ 1/4W J	
R1108	QRE141J-750Y	C R	75Ω 1/4W J	
R1110	QRE141J-272Y	C R	2.7kΩ 1/4W J	
R1111	QRE141J-101Y	C R	100Ω 1/4W J	
R1112	QRE141J-103Y	C R	10kΩ 1/4W J	
R1113	QRE141J-561Y	C R	560Ω 1/4W J	
R1114	QRE141J-561Y	C R	560Ω 1/4W J	
R1116	QRE141J-104Y	C R	100kΩ 1/4W J	
R1117	QRE141J-272Y	C R	2.7kΩ 1/4W J	
R1118	QRE141J-273Y	C R	27kΩ 1/4W J	
R1119	QRE141J-224Y	C R	22kΩ 1/4W J	
R1120	QRE141J-822Y	C R	8.2kΩ 1/4W J	
R1121	QRE141J-221Y	C R	220Ω 1/4W J	
R1123	QRE141J-151Y	C R	150Ω 1/4W J	
R1125	QRE141J-102Y	C R	1kΩ 1/4W J	
R1126	QRE141J-103Y	C R	10kΩ 1/4W J	
R1127	QRE141J-221Y	C R	220Ω 1/4W J	
R1128	QRE141J-821Y	C R	820Ω 1/4W J	
R1129	QRE141J-221Y	C R	220Ω 1/4W J	
R1130	QRE141J-222Y	C R	2.2kΩ 1/4W J	
R1131	QRE141J-271Y	C R	270Ω 1/4W J	
R1132	QRE141J-331Y	C R	330Ω 1/4W J	
R1133	QRE141J-331Y	C R	330Ω 1/4W J	
R1135	QRE141J-224Y	C R	22kΩ 1/4W J	
R1203	QRE141J-224Y	C R	22kΩ 1/4W J	
R1204	QRE141J-391Y	C R	390Ω 1/4W J	
R1205	QRE141J-391Y	C R	390Ω 1/4W J	
R1206	QRE141J-103Y	C R	10kΩ 1/4W J	
R1208	QRE141J-681Y	C R	680Ω 1/4W J	
R1209	QRE141J-821Y	C R	820Ω 1/4W J	
R1210	QRE141J-122Y	C R	1.2kΩ 1/4W J	
R1232	QRE141J-101Y	C R	100Ω 1/4W J	
R1233	QRE122J-101	C R	100Ω 1/2W J	
R1234	QRE141J-680Y	C R	68Ω 1/4W J	
R1235	QRE141J-750Y	C R	75Ω 1/4W J	
R1303	QRE141J-273Y	C R	27kΩ 1/4W J	
R1304	QRE141J-101Y	C R	100Ω 1/4W J	
R1305	QRE141J-101Y	C R	100Ω 1/4W J	
R1306	QRE141J-101Y	C R	100Ω 1/4W J	
R1307	QRE141J-102Y	C R	1kΩ 1/4W J	
R1308	QRE141J-102Y	C R	1kΩ 1/4W J	
R1309	QRE141J-102Y	C R	1kΩ 1/4W J	
R1310	QRE141J-102Y	C R	1kΩ 1/4W J	
R1311	QRE141J-333Y	C R	33kΩ 1/4W J	
R1313	QRE141J-103Y	C R	10kΩ 1/4W J	
R1314	QRE141J-101Y	C R	100Ω 1/4W J	
R1315	QRE141J-101Y	C R	100Ω 1/4W J	
R1403	QRE141J-682Y	C R	6.8kΩ 1/4W J	
R1422	QRE141J-472Y	C R	4.7kΩ 1/4W J	
R1423	QRE141J-221Y	C R	220Ω 1/4W J	
R1425	QRE141J-333Y	C R	33kΩ 1/4W J	
R1426	QRE141J-333Y	C R	33kΩ 1/4W J	
R1427	QRE141J-103Y	C R	10kΩ 1/4W J	
R1429	QRE141J-562Y	C R	5.6kΩ 1/4W J	
R1430	QRE141J-103Y	C R	10kΩ 1/4W J	
R1431	QRE141J-822Y	C R	8.2kΩ 1/4W J	
R1432	QRE121J-6R8Y	C R	6.8Ω 1/2W J	
R1433	QRE122J-4R7	C R	4.7Ω 1/2W J	
R1434	QRE141J-183Y	C R	18kΩ 1/4W J	
R1440	QRG01GJ-221	OM R	220Ω 1W J	
R1441	QRE141J-682Y	C R	6.8kΩ 1/4W J	
R1442	QRE141J-822Y	C R	8.2kΩ 1/4W J	
R1443	QRK129J-1R0	C R	1.0Ω 1/2W J	
R1444	QRE122J-821	C R	820Ω 1/2W J	
R1450	QRE141J-222Y	C R	2.2kΩ 1/4W J	
R1451	QRE141J-103Y	C R	10kΩ 1/4W J	

△ Symbol No.	Part No.	Part Name	Description	Local
RESISTOR				
R1452	QRE141J-222Y	C R	2.2kΩ 1/4W J	
R1453	QRE141J-122Y	C R	1.2kΩ 1/4W J	
R1501	QRE141J-822Y	C R	8.2kΩ 1/4W J	
R1502	QRE141J-621Y	C R	620Ω 1/4W J	
R1504	QRE141J-103Y	C R	10kΩ 1/4W J	
R1505	QRE141J-104Y	C R	100kΩ 1/4W J	
R1506	QRG01GJ-121	OM R	120Ω 1W J	
R1522	QRE141J-123Y	C R	12kΩ 1/4W J	
R1523	QRE122J-222	C R	2.2kΩ 1/2W J	
R1524	QRG029J-392	OM R	3.9kΩ 2W J	
R1525	QRG029J-332	OM R	3.3kΩ 2W J	
R1526	QRE122J-220	C R	22Ω 1/2W J	
R1528	QRE122J-471	C R	470Ω 1/2W J	
R1529	QRL039J-221	OM R	220Ω 3W J	
R1582	QRE141J-822Y	C R	8.2kΩ 1/4W J	
R1583	QRE141J-123Y	C R	12kΩ 1/4W J	
R1591	QRE141J-273Y	C R	27kΩ 1/4W J	
R1594	QRE141J-332Y	C R	3.3kΩ 1/4W J	
R1601	QRE141J-182Y	C R	1.8kΩ 1/4W J	
R1602	QRE141J-102Y	C R	1kΩ 1/4W J	
R1603	QRE141J-103Y	C R	10kΩ 1/4W J	
R1604	QRE141J-222Y	C R	2.2kΩ 1/4W J	
R1605	QRE141J-221Y	C R	220Ω 1/4W J	
R1606	QRE141J-152Y	C R	1.5kΩ 1/4W J	
R1607	QRE141J-182Y	C R	1.8kΩ 1/4W J	
R1608	QRE141J-561Y	C R	560Ω 1/4W J	
R1610	QRE141J-223Y	C R	22kΩ 1/4W J	
R1611	QRE141J-153Y	C R	15kΩ 1/4W J	
R1612	QRE141J-221Y	C R	220Ω 1/4W J	
R1613	QRE141J-472Y	C R	4.7kΩ 1/4W J	
R1615	QRE141J-471Y	C R	470Ω 1/4W J	
R1616	QRE141J-220Y	C R	22Ω 1/4W J	
R1617	QRE141J-821Y	C R	820Ω 1/4W J	
R1621	QRE141J-393Y	C R	39kΩ 1/4W J	
R1622	QRE141J-103Y	C R	10kΩ 1/4W J	
R1623	QRE141J-181Y	C R	180Ω 1/4W J	
R1624	QRE141J-101Y	C R	100Ω 1/4W J	
R1625	QRE141J-561Y	C R	560Ω 1/4W J	
R1626	QRE141J-182Y	C R	1.8kΩ 1/4W J	
R1627	QRE141J-561Y	C R	560Ω 1/4W J	
R1628	QRE141J-561Y	C R	560Ω 1/4W J	
R1629	QRE141J-221Y	C R	220Ω 1/4W J	
R1630	QRE141J-221Y	C R	220Ω 1/4W J	
R1631	QRE141J-681Y	C R	680Ω 1/4W J	
R1632	QRE141J-681Y	C R	680Ω 1/4W J	
R1633	QRE141J-102Y	C R	1kΩ 1/4W J	
R1634	QRE141J-102Y	C R	1kΩ 1/4W J	
R1635	QRE141J-472Y	C R	4.7kΩ 1/4W J	
R1636	QRE141J-472Y	C R	4.7kΩ 1/4W J	
R1637	QRE141J-181Y	C R	180Ω 1/4W J	
R1638	QRE141J-181Y	C R	180Ω 1/4W J	
R1640	QRE141J-105Y	C R	100kΩ 1/4W J	
R1641	QRE141J-822Y	C R	8.2kΩ 1/4W J	
R1642	QRE141J-154Y	C R	150kΩ 1/4W J	
R1643	QRE141J-102Y	C R	1kΩ 1/4W J	
R1644	QRE141J-562Y	C R	5.6kΩ 1/4W J	
R1645	QRE141J-562Y	C R	5.6kΩ 1/4W J	
R1646	QRE141J-562Y	C R	5.6kΩ 1/4W J	
R1647	QRE141J-102Y	C R	1kΩ 1/4W J	
R1648	QRE141J-562Y	C R	5.6kΩ 1/4W J	
R1649	QRE141J-182Y	C R	1.8kΩ 1/4W J	
R1651	QRE141J-182Y	C R	1.8kΩ 1/4W J	
R1652	QRE141J-103Y	C R	10kΩ 1/4W J	
R1653	QRE141J-122Y	C R	1.2kΩ 1/4W J	
R1654	QRE141J-182Y	C R	1.8kΩ 1/4W J	
R1655	QRE141J-103Y	C R	10kΩ 1/4W J	
R1656	QRE141J-122Y	C R	1.2kΩ 1/4W J	
R1661	QRE141J-101Y	C R	100Ω 1/4W J	
R1664	QRK129J-4R7	C R	4.7Ω 1/2W J	
R1665	QRK129J-4R7	C R	4.7Ω 1/2W J	
R1666	QRE141J-561Y	C R	560Ω 1/4W J	
R1667	QRE141J-561Y	C R	560Ω 1/4W J	
R1668	QRE141J-181Y	C R	180Ω 1/4W J	

Symbol No.	Part No.	Part Name	Description	Local
RESISTOR				
R1669	QRE141J-181Y	C R	180Ω 1/4W J	
R1671	QRE141J-101Y	C R	100Ω 1/4W J	
R1672	QRE141J-101Y	C R	100Ω 1/4W J	
R1694	QRE141J-104Y	C R	100kΩ 1/4W J	
R1701	QRE141J-473Y	C R	47kΩ 1/4W J	
R1702	QRB089J-682	NETW. R	6.8kΩ	
R1703	QRE141J-682Y	C R	6.8kΩ 1/4W J	
R1704	QRE141J-561Y	C R	560Ω 1/4W J	
R1705	QRE141J-561Y	C R	560Ω 1/4W J	
R1706	QRE141J-821Y	C R	820Ω 1/4W J	
R1707	QRE141J-103Y	C R	10kΩ 1/4W J	
R1708	QRE141J-103Y	C R	10kΩ 1/4W J	
R1709	QRE141J-223Y	C R	22kΩ 1/4W J	
R1710	QRE141J-682Y	C R	6.8kΩ 1/4W J	
R1711	QRE141J-103Y	C R	10kΩ 1/4W J	
R1712	QRE141J-563Y	C R	56kΩ 1/4W J	
R1713	QRE141J-223Y	C R	22kΩ 1/4W J	
R1714	QRE141J-103Y	C R	10kΩ 1/4W J	
R1719	QRE141J-562Y	C R	5.6kΩ 1/4W J	
R1720	QRE141J-562Y	C R	5.6kΩ 1/4W J	
R1721	QRE141J-562Y	C R	5.6kΩ 1/4W J	
R1722	QRE141J-562Y	C R	5.6kΩ 1/4W J	
R1724	QRE141J-682Y	C R	6.8kΩ 1/4W J	
R1725	QRB089J-682	NETW. R	6.8kΩ	
R1733	QRE141J-221Y	C R	220Ω 1/4W J	
R1734	QRE141J-221Y	C R	220Ω 1/4W J	
R1735	QRE141J-221Y	C R	220Ω 1/4W J	
R1736	QRE141J-221Y	C R	220Ω 1/4W J	
R1737	QRE141J-124Y	C R	120kΩ 1/4W J	
R1738	QRE141J-683Y	C R	68kΩ 1/4W J	
R1739	QRE141J-682Y	C R	6.8kΩ 1/4W J	
R1740	QRE141J-221Y	C R	220Ω 1/4W J	
R1741	QRE141J-221Y	C R	220Ω 1/4W J	
R1742	QRE141J-221Y	C R	220Ω 1/4W J	
R1743	QRE141J-221Y	C R	220Ω 1/4W J	
R1744	QRE141J-221Y	C R	220Ω 1/4W J	
R1746	QRE141J-473Y	C R	47kΩ 1/4W J	
R1748	QRE141J-682Y	C R	6.8kΩ 1/4W J	
R1749	QRE141J-102Y	C R	1kΩ 1/4W J	
R1750	QRE141J-102Y	C R	1kΩ 1/4W J	
R1751	QRE141J-103Y	C R	10kΩ 1/4W J	
R1752	QRE141J-332Y	C R	3.3kΩ 1/4W J	
R1753	QRE141J-682Y	C R	6.8kΩ 1/4W J	
R1754	QRE141J-103Y	C R	10kΩ 1/4W J	
R1755	QRE141J-332Y	C R	3.3kΩ 1/4W J	
R1756	QRE141J-681Y	C R	680Ω 1/4W J	
R1757	QRE141J-681Y	C R	680Ω 1/4W J	
R1758	QRE141J-222Y	C R	2.2kΩ 1/4W J	
R1759	QRE141J-103Y	C R	10kΩ 1/4W J	
R1762	QRE141J-822Y	C R	8.2kΩ 1/4W J	
R1901	QRF104K-3R9	UNF R	3.9Ω 10W K	
R1902	QRL039J-683	OM R	68kΩ 3W J	
R1921	QRE122J-681	C R	680Ω 1/2W J	
R1922	QRX029J-2R2	MF R	2.2Ω 2W J	
R1923	QRM059J-R22	MP R	0.22Ω 5W J	
R1926	QRE141J-152Y	C R	1.5kΩ 1/4W J	
R1928	QRL039J-473	OM R	47kΩ 3W J	
R1929	QRE122J-332	C R	3.3kΩ 1/2W J	
R1932	QRE122J-824	C R	820kΩ 1/2W J	
R1933	QRK129J-3R9	C R	3.9Ω 1/2W J	
R1934	QRE122J-333	C R	33kΩ 1/2W J	
R1935	QRE141J-152Y	C R	1.5kΩ 1/4W J	
R1941	QRE122J-152	C R	1.5kΩ 1/2W J	
R1943	QRE141J-472Y	C R	4.7kΩ 1/4W J	
R1944	QRE122J-332	C R	3.3kΩ 1/2W J	
R1946	QRE141J-153Y	C R	15kΩ 1/4W J	
R1970	QRG016J-100	OM R	10Ω 1W J	
R1971	QRE141J-223Y	C R	22kΩ 1/4W J	
R1972	QRE122J-152	C R	1.5kΩ 1/2W J	
R1973	QRL029J-390	OM R	39Ω 2W J	
R1974	QRE141J-332Y	C R	3.3kΩ 1/4W J	
R1975	QRE141J-123Y	C R	12kΩ 1/4W J	
R1977	QRG029J-183	OM R	18kΩ 2W J	
R1979	QRL039J-270	OM R	27Ω 3W J	
R1980	QRE141J-821Y	C R	820Ω 1/4W J	
R1981	QRE141J-222Y	C R	2.2kΩ 1/4W J	

Symbol No.	Part No.	Part Name	Description	Local
RESISTOR				
R1982	QRE141J-822Y	C R	8.2kΩ 1/4W J	
R1983	QRE141J-102Y	C R	1kΩ 1/4W J	
△ R1991	QRZ0057-825	C R	8.2MΩ 1W J	
CAPACITOR				
C1001	QETM1HM-475	E CAP.	4.7μF 50V M	
C1003	QETM1HM-106	E CAP.	10μF 50V M	
C1005	QFLB1HJ-104	M CAP.	0.1μF 50V J	
C1006	QCB31HK-103	C CAP.	0.01μF 50V K	
C1008	QETM1HM-106	E CAP.	10μF 50V M	
C1015	QCB31HK-222	C CAP.	2200pF 50V K	
C1101	QCB31HK-472	C CAP.	4700pF 50V K	
C1102	QCB31HK-472	C CAP.	4700pF 50V K	
C1103	QCB31HK-472	C CAP.	4700pF 50V K	
C1104	QCB31HK-472	C CAP.	4700pF 50V K	
C1105	QCB31HK-472	C CAP.	4700pF 50V K	
C1106	QCB31HK-472	C CAP.	4700pF 50V K	
C1107	QCB31HK-472	C CAP.	4700pF 50V K	
C1108	QCB31HK-103	C CAP.	0.01μF 50V K	
C1110	QCB31HK-103	C CAP.	0.01μF 50V K	
C1111	QCB31HK-103	C CAP.	0.01μF 50V K	
C1112	QFLB1HJ-104	M CAP.	0.1μF 50V J	
C1113	QCB31HK-103	C CAP.	0.01μF 50V K	
C1114	QETM1HM-474	E CAP.	0.47μF 50V M	
C1116	QETM1HM-474	E CAP.	0.47μF 50V M	
C1118	QCB31HK-103	C CAP.	0.01μF 50V K	
C1119	QETM1CM-476	E CAP.	47μF 16V M	
C1120	QETM1CM-476	E CAP.	47μF 16V M	
C1121	QCB31HK-103	C CAP.	0.01μF 50V K	
C1122	QETM1CM-476	E CAP.	47μF 16V M	
C1123	QCB31HK-103	C CAP.	0.01μF 50V K	
C1124	QETM1CM-476	E CAP.	47μF 16V M	
C1135	QCB31HK-103	C CAP.	0.01μF 50V K	
C1136	QFLB1HJ-103	M CAP.	0.01μF 50V J	
C1201	QETM1CM-107	E CAP.	100μF 16V M	
C1202	QFLB1HJ-104	M CAP.	0.1μF 50V J	
C1203	QFV81HJ-684	TF CAP.	0.68μF 50V J	
C1204	QFLB1HJ-104	M CAP.	0.1μF 50V J	
C1205	QETM1HM-475	E CAP.	4.7μF 50V M	
C1206	QCB31HK-103	C CAP.	0.01μF 50V K	
C1207	QETM1CM-107	E CAP.	100μF 16V M	
C1208	QETM1HM-106	E CAP.	10μF 50V M	
C1209	QCB31HK-103	C CAP.	0.01μF 50V K	
C1210	QETM1HM-106	E CAP.	10μF 50V M	
C1212	QETM1HM-106	E CAP.	10μF 50V M	
C1213	QENC1CM-106Z	BP E CAP.	10μF 16V M	
C1231	QETM1CM-227	E CAP.	220μF 16V M	
C1232	QETM1CM-477	E CAP.	470μF 16V M	
C1233	QETM1HM-106	E CAP.	10μF 50V M	
C1234	QENB1EM-106	BP E CAP.	10μF 25V M	
C1235	QETM1CM-476	E CAP.	47μF 16V M	
C1236	QENB1EM-106	BP E CAP.	10μF 25V M	
C1301	QFLB1HJ-823	M CAP.	0.082μF 50V J	
C1302	QCB31HK-103	C CAP.	0.01μF 50V K	
C1303	QDC31HJ-120	C CAP.	12pF 50V J	
C1304	QFLB1HJ-104	M CAP.	0.1μF 50V J	
C1305	QFLB1HJ-104	M CAP.	0.1μF 50V J	
C1306	QFLB1HJ-104	M CAP.	0.1μF 50V J	
C1307	QETM1HM-225	E CAP.	2.2μF 50V M	
C1308	QCB31HK-103	C CAP.	0.01μF 50V K	
C1309	QETM1HM-475	E CAP.	4.7μF 50V M	
C1310	QCB31HK-103	C CAP.	0.01μF 50V K	
C1311	QETM1CM-107	E CAP.	100μF 16V M	
C1312	QETM1CM-227	E CAP.	220μF 16V M	
C1316	QCS31HJ-101	C CAP.	100pF 50V K	
C1317	QCS31HJ-101	C CAP.	100pF 50V K	
C1402	QEM61HK-225Z	E CAP.	2.2μF 50V K	
C1405	QETM1HM-105	E CAP.	1μF 50V M	
C1422	QFN31HJ-182	M CAP.	1800pF 50V J	
C1423	QFLB2AJ-473	M CAP.	0.047μF 100V J	
C1427	QETM1VM-107	E CAP.	100μF 35V M	
C1428	QETM1VM-107	E CAP.	100μF 35V M	
C1430	QFLB2AJ-103	M CAP.	0.01μF 100V J	
C1433	QETM1HM-475	E CAP.	4.7μF 50V M	

Symbol No.	Part No.	Part Name	Description	Local
CAPACITOR				
C1435	QETM1EM-108	E CAP.	1000µF 25V M	
C1436	QFV81HJ-334	TF CAP.	0.33µF 50V J	
C1437	QFN31HJ-102	M CAP.	1000pF 50V J	
C1450	QETM1CM-107	E CAP.	100µF 16V M	
C1501	QCB31HK-103	C CAP.	0.01µF 50V K	
C1502	QETM1HM-105	E CAP.	1µF 50V M	
C1503	QETM1CM-227	E CAP.	220µF 16V M	
C1504	QCB31HK-103	C CAP.	0.01µF 50V K	
C1505	QCB31HK-103	C CAP.	0.01µF 50V K	
C1506	QCB31HK-103	C CAP.	0.01µF 50V K	
C1507	QFLB1HJ-103	M CAP.	0.01µF 50V J	
C1508	QETM1CM-476	E CAP.	47µF 16V M	
C1509	QCB31HK-103	C CAP.	0.01µF 50V K	
C1510	QCB31HK-103	C CAP.	0.01µF 50V K	
C1521	QCB32HK-151	C CAP.	150pF 500V K	
C1522	QCB32HK-102	C CAP.	1000pF 500V K	
C1523	QEHR2CM-105Z	E CAP.	1µF 160V M	
C1524	QFZ0198-742	MPP CAP.	7400pF 1.5kVH ±3%	
C1527	QFZ0151-404	MPP CAP.	0.4µF 200V ±3%	
C1530	QCB32HK-561	C CAP.	560pF 500V K	
C1551	QCB32HK-152	C CAP.	1500pF 500V K	
C1552	QETM1VM-108	E CAP.	1000µF 35V M	
C1557	QETM2EM-225	E CAP.	2.2µF 250V M	
C1571	QEHQ2CM-476	E CAP.	47µF 160V M	
C1581	QFLB1HJ-104	M CAP.	0.1µF 50V J	
C1591	QETM1AM-227	E CAP.	220µF 10V M	
C1601	QETM1HM-106	E CAP.	10µF 50V M	
C1602	QFLB1HJ-473	M CAP.	0.047µF 50V J	
C1603	QDC31HJ-470	C CAP.	47pF 50V J	
C1604	QDC31HJ-470	C CAP.	47pF 50V J	
C1606	QCB31HK-103	C CAP.	0.01µF 50V K	
C1607	QETM1CM-107	E CAP.	100µF 16V M	
C1608	QCB31HK-103	C CAP.	0.01µF 50V K	
C1610	QCB31HK-103	C CAP.	0.01µF 50V K	
C1611	QCB31HK-103	C CAP.	0.01µF 50V K	
C1612	QCB31HK-103	C CAP.	0.01µF 50V K	
C1613	QCB31HK-103	C CAP.	0.01µF 50V K	
C1631	QETM1HM-106	E CAP.	10µF 50V M	
C1632	QETM1HM-106	E CAP.	10µF 50V M	
C1633	QETM1HM-106	E CAP.	10µF 50V M	
C1634	QETM1HM-106	E CAP.	10µF 50V M	
C1637	QENB1EM-226	BP E CAP.	22µF 25V M	
C1638	QETM1AM-107	E CAP.	100µF 10V M	
C1639	QFLB1HJ-563	M CAP.	0.056µF 50V J	
C1640	QFLB1HJ-393	M CAP.	0.039µF 50V J	
C1641	QETM1HM-106	E CAP.	10µF 50V M	
C1642	QETM1HM-106	E CAP.	10µF 50V M	
C1643	QETM1HM-106	E CAP.	10µF 50V M	
C1644	QENB1EM-226	BP E CAP.	22µF 25V M	
C1645	QCB31HK-103	C CAP.	0.01µF 50V K	
C1646	QFLB1HJ-273	M CAP.	0.027µF 50V J	
C1647	QETM1HM-105	E CAP.	1µF 50V M	
C1648	QENB1EM-226	BP E CAP.	22µF 25V M	
C1650	QETM1HM-106	E CAP.	10µF 50V M	
C1651	QETM1HM-226	E CAP.	22µF 50V M	
C1652	QETM1CM-476	E CAP.	47µF 16V M	
C1653	QCB31HK-272	C CAP.	2700pF 50V K	
C1654	QCB31HK-272	C CAP.	2700pF 50V K	
C1655	QETM1HM-225	E CAP.	2.2µF 50V M	
C1656	QETM1HM-106	E CAP.	10µF 50V M	
C1657	QETM1HM-106	E CAP.	10µF 50V M	
C1658	QFLB1HJ-104	M CAP.	0.1µF 50V J	
C1659	QFLB1HJ-104	M CAP.	0.1µF 50V J	
C1660	QFLB1HJ-104	M CAP.	0.1µF 50V J	
C1661	QFLB1HJ-104	M CAP.	0.1µF 50V J	
C1662	QETM1HM-225	E CAP.	2.2µF 50V M	
C1663	QFLB1HJ-104	M CAP.	0.1µF 50V J	
C1664	QFLB1HJ-104	M CAP.	0.1µF 50V J	
C1665	QETM1HM-106	E CAP.	10µF 50V M	
C1670	QCS31HJ-221	C CAP.	220pF 50V J	
C1671	QENC1CM-106Z	BP E CAP.	10µF 16V M	
C1672	QCS31HJ-221	C CAP.	220pF 50V J	
C1673	QENC1CM-106Z	BP E CAP.	10µF 16V M	
C1674	QETM1EM-227	E CAP.	220µF 25V M	
C1675	QETM1CM-476	E CAP.	47µF 16V M	
C1676	QETM1CM-476	E CAP.	47µF 16V M	

Symbol No.	Part No.	Part Name	Description	Local
CAPACITOR				
C1677	QETM1EM-107	E CAP.	100µF 25V M	
C1678	QETM1EM-107	E CAP.	100µF 25V M	
C1679	QETM1EM-108	E CAP.	1000µF 25V M	
C1680	QETM1EM-108	E CAP.	1000µF 25V M	
C1681	QFLB1HJ-104	M CAP.	0.1µF 50V J	
C1682	QFLB1HJ-104	M CAP.	0.1µF 50V J	
C1684	QETM1CM-107	E CAP.	100µF 16V M	
C1685	QFLB1HJ-104	M CAP.	0.1µF 50V J	
C1686	QFLB1HJ-104	M CAP.	0.1µF 50V J	
C1701	QETM1CM-107	E CAP.	100µF 16V M	
C1702	QFLB1HJ-104	M CAP.	0.1µF 50V J	
C1703	QETM1CM-476	E CAP.	47µF 16V M	
C1704	QFN31HJ-102	M CAP.	1000pF 50V J	
C1705	QETM1CM-107	E CAP.	100µF 16V M	
C1707	QFN31HJ-272	M CAP.	2700pF 50V J	
C1708	QFN31HJ-222	M CAP.	2200pF 50V J	
C1709	QCS31HJ-560	C CAP.	56pF 50V J	
C1710	QCB31HK-103	C CAP.	0.01µF 50V K	
C1711	QFLB1HJ-104	M CAP.	0.1µF 50V J	
C1712	QETM1HM-106	E CAP.	10µF 50V M	
C1713	QCS31HJ-181	C CAP.	180pF 50V J	
C1714	QFLB1HJ-103	M CAP.	0.01µF 50V J	
C1715	QFLB1HJ-473	M CAP.	0.047µF 50V J	
C1721	QETM1HM-106	E CAP.	10µF 50V M	
C1723	QETM1HM-107	E CAP.	100µF 50V M	
C1724	QCS31HJ-101	C CAP.	100pF 50V K	
C1725	QCS31HJ-181	C CAP.	180pF 50V J	
C1730	QFLB1HJ-103	M CAP.	0.01µF 50V J	
C1751	QETM1CM-476	E CAP.	47µF 16V M	
C1752	QETM1HM-106	E CAP.	10µF 50V M	
△ C1902	QFZ9040-104	MF CAP.	0.1µF AC275V M	
△ C1903	QFZ9040-473	MF CAP.	0.047µF AC275V M	
C1904	QCZ9078-102	C CAP.	1000pF AC250V M	
C1905	QCZ9078-102	C CAP.	1000pF AC250V M	
C1906	QCZ9078-102	C CAP.	1000pF AC250V M	
C1907	QCZ9078-102	C CAP.	1000pF AC250V M	
C1909	QEZO199-227	E CAP.	220µF 400V M	
C1921	QCZO325-391	C CAP.	390pF 2kV K	
C1922	QCB31HK-471	C CAP.	470pF 50V K	
C1924	QETM1VM-107	E CAP.	10µF 35V M	
C1926	QFN31HJ-222	M CAP.	2200pF 50V J	
C1929	QCZO334-103	C CAP.	0.01µF 500V P	
C1930	QCZO122-221	C CAP.	220pF 2kV K	
C1931	QCZO325-271	C CAP.	270pF 2kV K	
C1941	QCZO122-561	C CAP.	560pF 2kV K	
C1942	QEZO203-107	E CAP.	100µF 160V M	
C1944	QCB31HK-471	C CAP.	470pF 50V K	
C1945	QETM1EM-108	E CAP.	1000µF 25V M	
C1946	QETM1EM-227	E CAP.	220µF 25V M	
C1947	QCB32HK-561	C CAP.	560pF 500V K	
C1948	QETM1VM-108	E CAP.	1000µF 35V M	
C1949	QCS31HJ-391	C CAP.	390pF 50V J	
C1950	QFLB1HJ-104	M CAP.	0.1µF 50V J	
C1954	QCB31HK-103	C CAP.	0.01µF 50V K	
C1971	QETM1HM-106	E CAP.	10µF 50V M	
C1972	QETM1EM-108	E CAP.	1000µF 25V M	
C1974	QETM1EM-108	E CAP.	1000µF 25V M	
C1975	QETM1EM-107	E CAP.	100µF 25V M	
C1976	QETM1CM-107	E CAP.	100µF 16V M	
C1977	QETM1CM-107	E CAP.	100µF 16V M	
C1978	QETM1AM-107	E CAP.	100µF 10V M	
△ C1991	QCZ9079-471	C CAP.	470pF AC250V K	
△ C1992	QCZ9079-471	C CAP.	470pF AC250V K	
△ C1993	QCZ9079-222	C CAP.	2200pF AC250V M	
TRANSFORMER				
T1101	CELTO01-303	CW TRANSF.		
T1521	CE42034-001	HOR DRIVE TRANSF.		
△ T1522	QQH0022-002	H.V. TRANSF.		
△ T1921	CETS128-001JM	SW. TRANSF.		

Symbol No.	Part No.	Part Name	Description	Local
COIL				
L1101	QQL05BK-2R2	COIL	2.2μH	K
L1104	QQL242K-150	COIL	15μH	K
L1105	QQL242K-8R2	COIL	8.2μH	K
L1106	QQL242K-100	COIL	10μH	K
L1301	QQL242K-470	COIL	47μH	K
L1302	QQL242K-470	COIL	47μH	K
L1303	QQL242K-4R7	COIL	4.7μH	K
L1522	CE41210-00B	LINEALITY COIL		
L1551	QQLZ018-540	HEATER CHOKE		
L1552	QQL231J-560Y	COIL	56μH	J
L1601	QQL242K-120	COIL	12μH	K
L1701	QQL242K-5R6	COIL	5.6μH	K
L1941	QQL42AK-820	CHOKE COIL	82μH	K
L1942	QQL42AK-820	CHOKE COIL	82μH	K
L1943	QQL26AM-2R2Z	CHOKE COIL	2.2μH	M
DIODE				
D1001	MTZJ33A-T2	ZENER DIODE		
D1101	1SS85-T2	SI DIODE		
D1102	1SS85-T2	SI DIODE		
D1104	1SS133-T2	SI DIODE		
D1203	1SS133-T2	SI DIODE		
D1231	MTZJ13B-T2	ZENER DIODE		
D1232	MTZJ13B-T2	ZENER DIODE		
D1421	1SS133-T2	SI DIODE		
D1422	MTZJ36A-T2	ZENER DIODE		
D1423	1SR124-400A-T2	SI DIODE		
D1424	MTZJ36A-T2	ZENER DIODE		
D1425	1SS133-T2	SI DIODE		
D1501	MTZJ9.1B-T2	ZENER DIODE		
D1502	MTZJ5.1B-T2	ZENER DIODE		
D1551	RGP10J-5025-T3	SI DIODE		
D1553	RH15-LFA1	SI DIODE		
D1582	RGP10J-5025-T3	SI DIODE		
D1601	MTZJ6.8A-T2	ZENER DIODE		
D1602	MTZJ6.2B-T2	ZENER DIODE		
D1631	MTZJ13B-T2	ZENER DIODE		
D1632	MTZJ13B-T2	ZENER DIODE		
D1701	1SS133-T2	SI DIODE		
D1702	1SS133-T2	SI DIODE		
D1703	1SS133-T2	SI DIODE		
D1705	1SS133-T2	SI DIODE		
D1706	MTZJ8.2B-T2	ZENER DIODE		
D1707	MTZJ8.2B-T2	ZENER DIODE		
D1708	MTZJ8.2B-T2	ZENER DIODE		
D1709	MTZJ8.2B-T2	ZENER DIODE		
D1710	1SS133-T2	SI DIODE		
D1739	MTZJ8.2B-T2	ZENER DIODE		
D1751	SLR-342VR-T16	LED (RED)		
D1752	SLR-342DU-T16	LED (ORG)		
D1753	1SS133-T2	SI DIODE		
D1754	P1241-04	CDS		
D1758	1SS133-T2	SI DIODE		
D1901	D3SBA60	BRIDGE DIODE		
D1921	1SR124-400A-T2	SI DIODE		
D1922	1SS133-T2	SI DIODE		
D1924	1SS133-T2	SI DIODE		
D1926	EG1A-T3	SI DIODE		
D1927	MTZJ6.8A-T2	ZENER DIODE		
D1929	MTZJ15A-T2	ZENER DIODE		
D1941	RU3AM-LFC4	SI DIODE		
D1942	ERC30-02L38	SI DIODE		
D1943	ERC30-02L38	SI DIODE		
D1945	MTZJ5.6A-T2	ZENER DIODE		
D1971	1SR124-400A-T2	SI DIODE		
D1981	1SS133-T2	SI DIODE		
D1982	1SS133-T2	SI DIODE		
D1983	1SS133-T2	SI DIODE		
TRANSISTOR				
Q1101	2SC5083/L-P/-T	SI TRANSISTOR		
Q1102	DTC124ESA-T	DIGI TRANSISTOR		

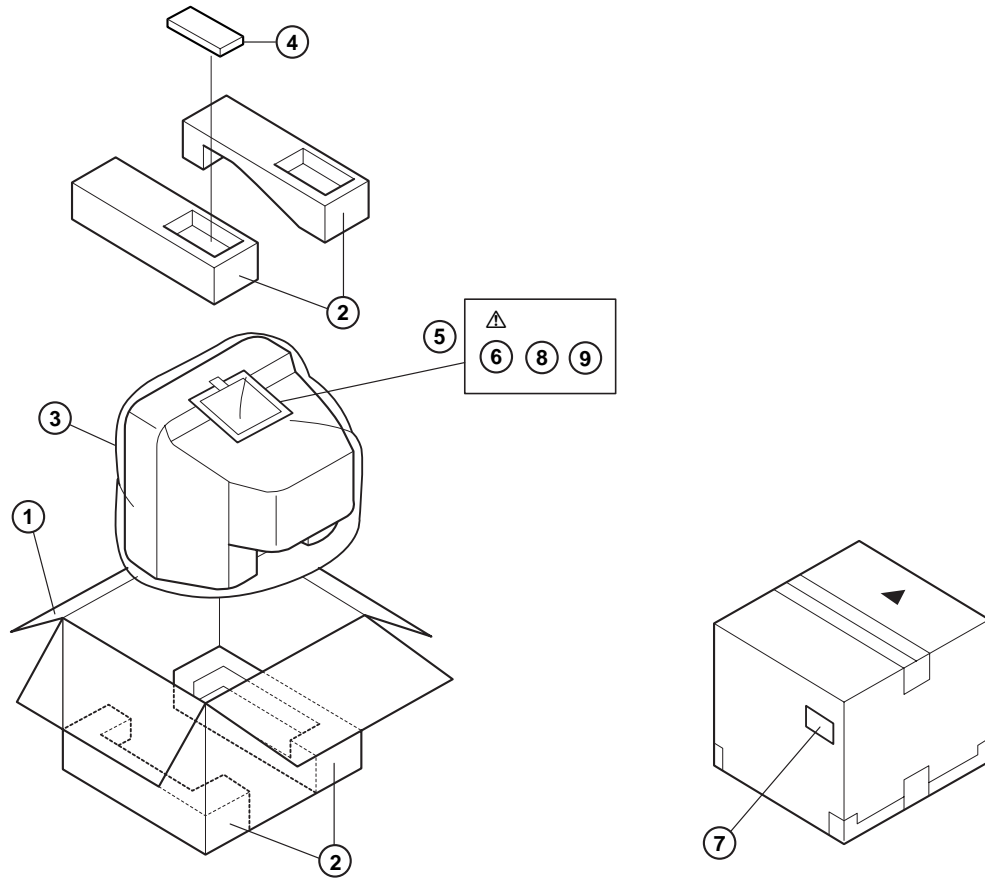
Symbol No.	Part No.	Part Name	Description	Local
TRANSISTOR				
Q1103	2SC1740S/QR/-T	SI TRANSISTOR		
Q1104	2SA933AS/QR/-T	SI TRANSISTOR		
Q1105	DTC124ESA-T	DIGI TRANSISTOR		
Q1106	DTC124ESA-T	DIGI TRANSISTOR		
Q1107	2SC1740S/QR/-T	SI TRANSISTOR		
Q1108	2SA933AS/QR/-T	SI TRANSISTOR		
Q1109	2SA933AS/QR/-T	SI TRANSISTOR		
Q1110	DTC124ESA-T	DIGI TRANSISTOR		
Q1111	DTC124ESA-T	DIGI TRANSISTOR		
Q1202	2SA933AS/QR/-T	SI TRANSISTOR		
Q1231	2SC1740S/QR/-T	SI TRANSISTOR		
Q1422	2SC1740S/QR/-T	SI TRANSISTOR		
Q1423	2SC1740S/QR/-T	SI TRANSISTOR		
Q1424	2SC1740S/QR/-T	SI TRANSISTOR		
Q1425	2SA933AS/QR/-T	SI TRANSISTOR		
Q1521	BSN304-T	MOS FET		
Q1522	2SD2499-LB	POWER TRANSISTOR		H.OUT
Q1523	2SC1815/YG/-T	SI TRANSISTOR		
Q1601	2SC1740S/QR/-T	SI TRANSISTOR		
Q1602	2SC1740S/QR/-T	SI TRANSISTOR		
Q1603	DTC124ESA-T	DIGI TRANSISTOR		
Q1604	2SC1740S/QR/-T	SI TRANSISTOR		
Q1605	DTC124ESA-T	DIGI TRANSISTOR		
Q1608	2SC1740S/QR/-T	SI TRANSISTOR		
Q1631	2SC1740S/QR/-T	SI TRANSISTOR		
Q1632	2SC1740S/QR/-T	SI TRANSISTOR		
Q1653	DTC363TS-T	DIGI TRANSISTOR		
Q1681	DTC323TS-T	DIGI TRANSISTOR		
Q1682	2SA933AS/QR/-T	SI TRANSISTOR		
Q1683	DTC323TS-T	DIGI TRANSISTOR		
Q1701	2SA933AS/QR/-T	SI TRANSISTOR		
Q1702	2SC1740S/QR/-T	SI TRANSISTOR		
Q1703	2SC1740S/QR/-T	SI TRANSISTOR		
Q1751	DTA124ESA-T	DIGI TRANSISTOR		
Q1752	2SC1740S/QR/-T	SI TRANSISTOR		
Q1941	2SC1740S/QR/-T	SI TRANSISTOR		
Q1942	DTC144GSA-T	DIGI TRANSISTOR		
Q1971	2SA966/OY/-T	SI TRANSISTOR		
Q1972	DTC144GSA-T	DIGI TRANSISTOR		
Q1981	2SA933AS/QR/-T	SI TRANSISTOR		
IC				
IC1001	TA78L005AP-T	IC		
IC1101	M52342SP	IC		
IC1201	TB1226EN	IC		
IC1202	LA7222	IC		
IC1421	LA7840	IC		
IC1601	AN7395K	IC		
IC1602	TDA7315	IC		
IC1651	LA4446	IC		
IC1701	M37212M8-060SP	IC (MICROCOMPUTER)		
IC1702	AT24C08-21F8VT	IC (MEMORY)		(Service)
IC1703	L78LR05E-MA	IC (5V REG/RESET)		
IC1751	PIC-28043SR	IR DETECT UNIT		
IC1921	STR-F6654	SW REG IC		
IC1941	S1854A	IC		
IC1971	LM2940CT-12	IC (12V REG)		
IC1972	AN7809F	IC (9V REG)		
IC1973	AN7805F	IC (5V REG)		
OTHERS				
	LC30114-001C-H	LED HOLDER		
	CM35921-005-H	CDS HOLDER		
CF1103	QAX0339-001	CERAMIC TRAP		
CF1104	TP55.5MW	C TRAP		
CF1105	TP56.5MB	CERAMIC TRAP		
CF1106	TP5H6.0MB	CERAMIC TRAP		
CF1601	SFSH4.5MCB	CERAMIC FILTER		
CF1604	QAX0336-001	CERAMIC FILTER		
CF1608	QAX0338-001	CERAMIC FILTER		
△ CP1551	ICP-N50	IC PROTECTOR		
△ CP1942	ICP-N75	IC PROTECTOR		

Symbol No.	Part No.	Part Name	Description	Local
OTHERS				
△ CP1943	ICP-N75	IC PROTECTOR		
△ CP1944	ICP-N5	IC PROTECTOR		
EF1201	CE42142-222Z	EMI FILTER		
△ F1901	QMF51E2-3R15J4	FUSE	3.15A	
FC1901	CEMG002-001Z	FUSE CLIP (x2)		
△ FR1001	QRZ9017-100	F R	10Ω 1/4W J	
△ FR1551	QRZ9017-4R7	F R	4.7Ω 1/4W J	
△ FR1552	QRZ9021-1R0	F R	1.0Ω 1W J	
△ FR1554	QRZ9017-150	F R	15Ω 1/4W J	
J1001	CEMN075-001	PIN JACK		
J1002	CEMN065-001	PIN JACK		
J1003	CEMN065-002	PIN JACK		
J1004	CEMN072-003	PIN JACK		
J1005	CEMN076-001	PIN JACK		
K1001	CE41433-001	BEADS CORE		
K1201	CE41433-001	BEADS CORE		
K1301	CE41433-001	BEADS CORE		
K1422	CE41433-001	BEADS CORE		
K1701	CE41433-001	BEADS CORE		
K1702	CE41433-001	BEADS CORE		
K1703	CE41433-001	BEADS CORE		
K1704	CE41433-001	BEADS CORE		
K1705	CE41433-001	BEADS CORE		
K1706	CE41433-001	BEADS CORE		
K1707	CE41433-001	BEADS CORE		
K1708	CE41433-001	BEADS CORE		
K1921	CE41433-001	BEADS CORE		
K1922	CE42050-001	CORE		
K1923	CE41433-001	BEADS CORE		
K1941	CE42050-001	CORE		
K1942	CE41433-001	BEADS CORE		
K1943	CE42050-001	CORE		
△ LF1902	QQR0527-002	LINE FILTER		
△ PC1921	PC123F2	PHOTO COUPLER		
S1751	QSW0619-003Z	PUSH SWITCH	MENU	
S1752	QSW0619-003Z	PUSH SWITCH	CH-	
S1753	QSW0619-003Z	PUSH SWITCH	CH+	
S1754	QSW0619-003Z	PUSH SWITCH	VOL-	
S1755	QSW0619-003Z	PUSH SWITCH	VOL+	
△ S1901	QSP4K21-C01	PUSH SWITCH	POWER	
SF1101	QAX0323-001	SAW FILTER		
SF1102	QAX0325-001	SAW FILTER		
TH1901	QADD0101-9R0	P THERMISTOR		
TU1001	QAU0186-001	AMP TUNER		
△ VA1901	ERZV10V621CS	VARISTOR		
X1301	QAX0354-001	XTAL		
X1701	CST8.00MTW	C RESONATOR		

CRT SOCKET P.W. BOARD ASS'Y (SCL-3012A-CK)

Symbol No.	Part No.	Part Name	Description	Local
RESISTOR				
R3351	QRE141J-151Y	C R	150Ω 1/4W J	
R3352	QRE141J-151Y	C R	150Ω 1/4W J	
R3353	QRE141J-151Y	C R	150Ω 1/4W J	
R3354	QRL029J-123	OM R	12kΩ 2W J	
R3355	QRE141J-222Y	C R	2.2kΩ 1/4W J	
R3356	QRE141J-331Y	C R	330Ω 1/4W J	
R3357	QRL029J-123	OM R	12kΩ 2W J	
R3358	QRE141J-222Y	C R	2.2kΩ 1/4W J	
R3359	QRE141J-331Y	C R	330Ω 1/4W J	
R3360	QRL029J-123	OM R	12kΩ 2W J	
R3361	QRE141J-222Y	C R	2.2kΩ 1/4W J	
R3362	QRE141J-331Y	C R	330Ω 1/4W J	
R3363	QRZ0111-152	C R	1.5kΩ 1/2W K	
R3364	QRE141J-562Y	C R	5.6kΩ 1/4W J	
R3365	QRE141J-101Y	C R	100Ω 1/4W J	
R3366	QRZ0111-152	C R	1.5kΩ 1/2W K	
R3367	QRE141J-101Y	C R	100Ω 1/4W J	
R3368	QRZ0111-152	C R	1.5kΩ 1/2W K	
R3369	QRE141J-101Y	C R	100Ω 1/4W J	
R3370	QRE122J-104	C R	100kΩ 1/2W J	
R3372	QRE141J-103Y	C R	10kΩ 1/4W J	
R3373	QRE122J-104	C R	100kΩ 1/2W J	
CAPACITOR				
C3351	QETM1CM-107	E CAP.	100μF 16V M	
C3353	QCB31HK-331	C CAP.	330pF 50V K	
C3355	QCB31HK-331	C CAP.	330pF 50V K	
C3357	QCB31HK-391	C CAP.	390pF 50V K	
C3359	QFZ0097-223	MM CAP.	0.022μF 1250V K	
C3360	QFLB1HJ-103	M CAP.	0.01μF 50V J	
COIL				
L3351	QQL242K-820	PEAKING COIL		
L3352	QQL242K-820	PEAKING COIL		
L3353	QQL242K-820	PEAKING COIL		
TRANSISTOR				
Q3351	25C3620	SI TRANSISTOR		
Q3352	25C3620	SI TRANSISTOR		
Q3353	25C3620	SI TRANSISTOR		
OTHERS				
△ SK3351	CE42554-001	CRT SOCKET		

PACKING



PACKING PARTS LIST

△ Ref.No.	Part No.	Part Name	Description	Local
1	GG10007-013A	PACKING CASE		
2	LC10516-002A-H	CUSHION ASSY	4 pcs. in 1 set	
3	CP30967-003-H	POLY BAG		
4	RM-C218-1C	REMOCON UNIT		
5	CP30966-001-H	POLY BAG		
△ 6	LCT0765-001A	INST BOOK		
7	CM43936-001	POS/SERIAL LABEL	(x2)	
8	CEAB005-00AJ1	MATCHING BOX		
9	CM35847-00B-H	ROD ANTENNA ASSY		

REMOTE CONTROL UNIT PARTS LIST (RM-C218-1C)

△ Ref.No.	Part No.	Part Name	Description	Local
	3139 224 20073	BATTERY COVER		